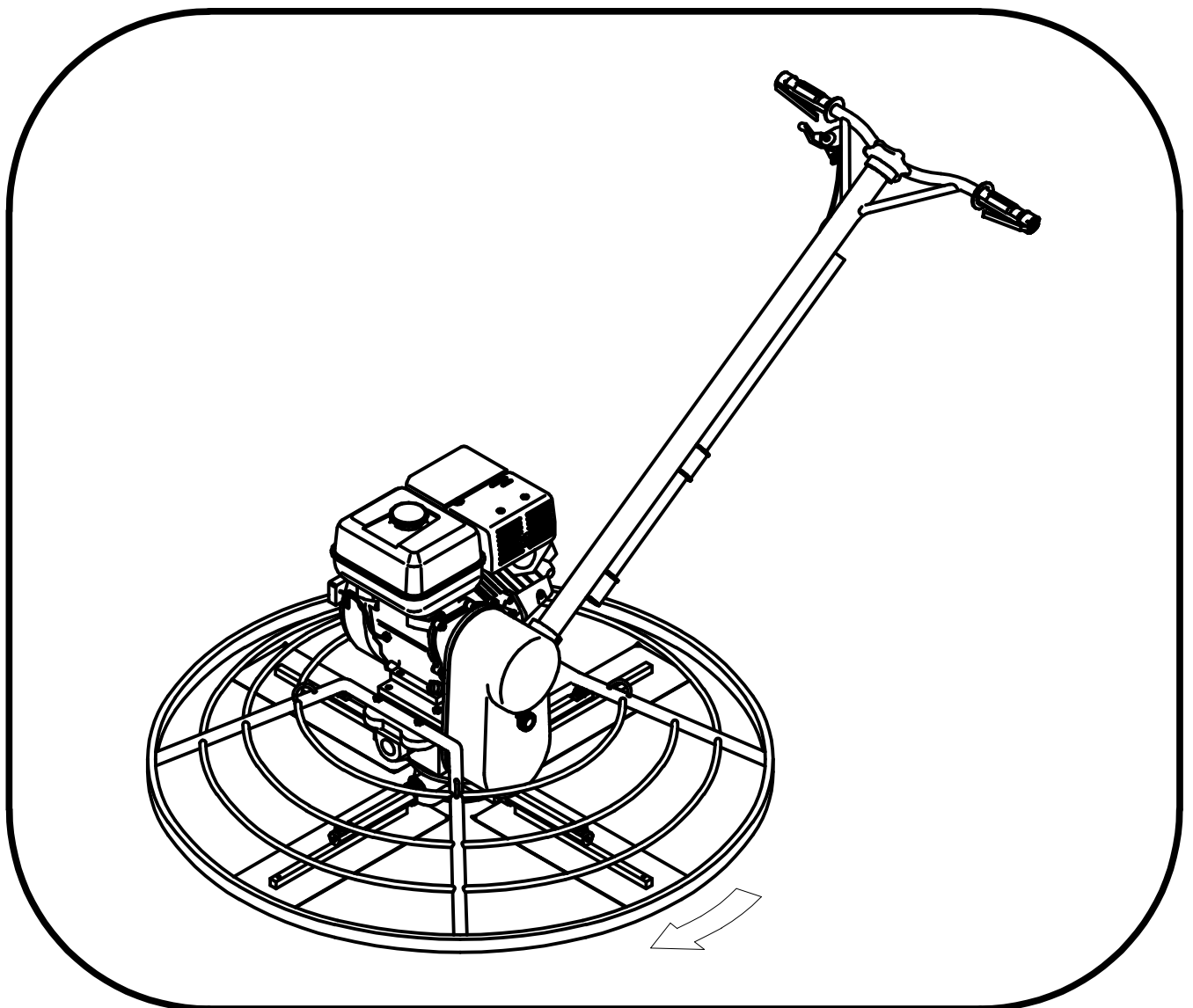




# BARIKELL

## **SPARE PART LIST MANUAL** *MANUALE ELENCO PARTI DI RICAMBIO*

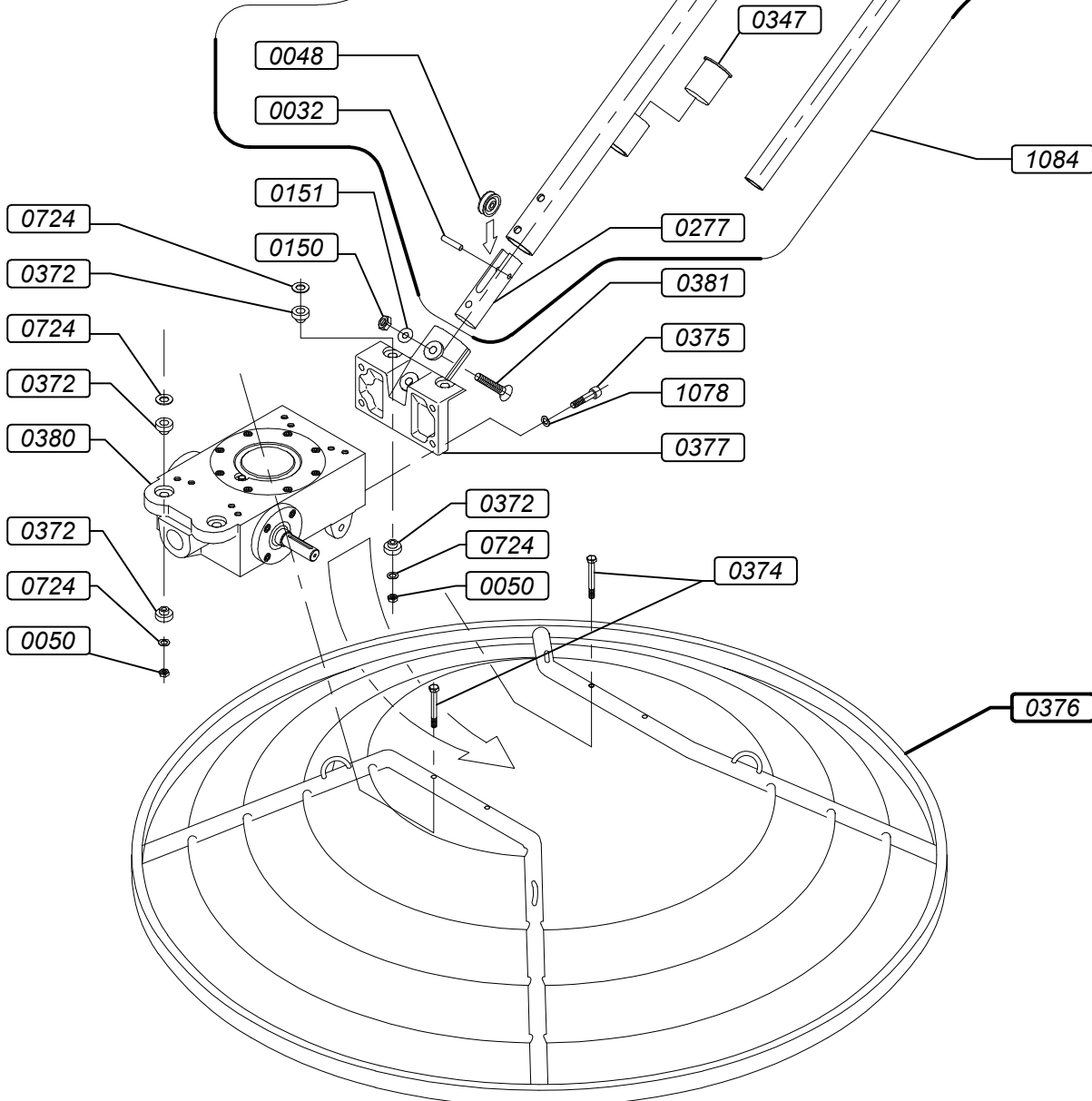
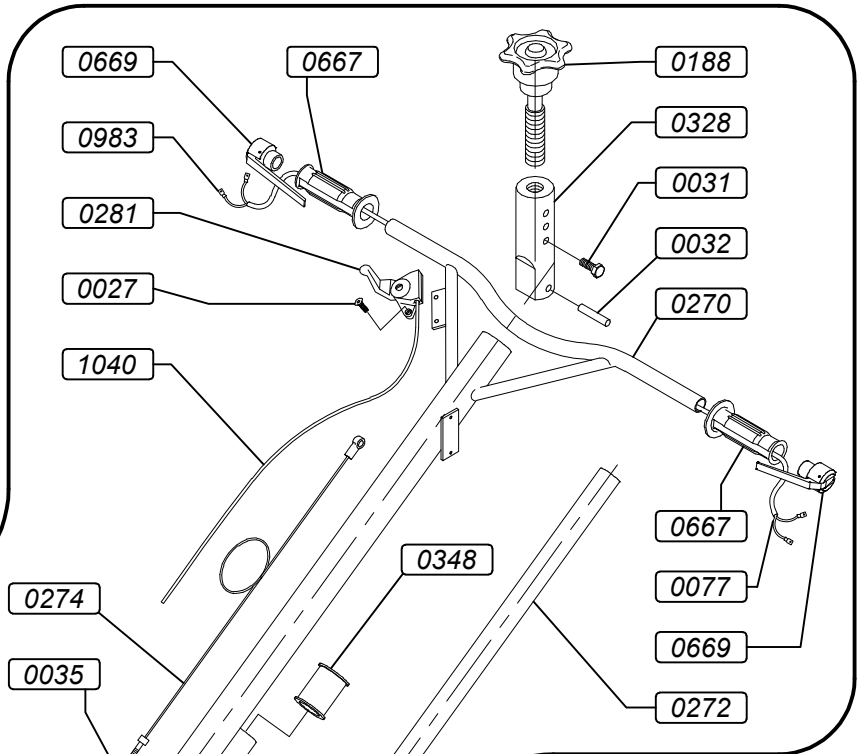
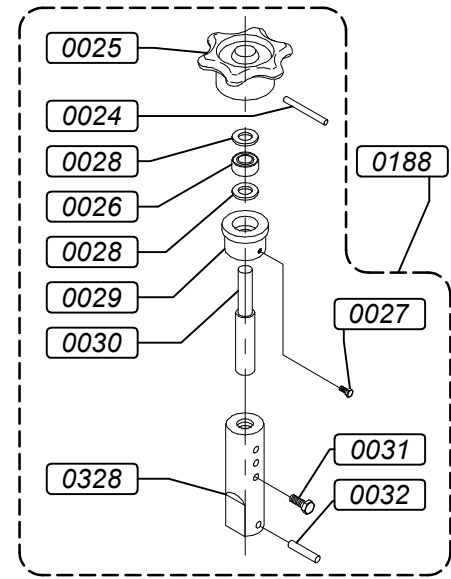
**POWER TROWEL "4-120 / 5-120"**  
***FRATTAZZATRICE "4-120 / 5-120"***





4-120 / 5-120

TABLE  
TAVOLA **A**

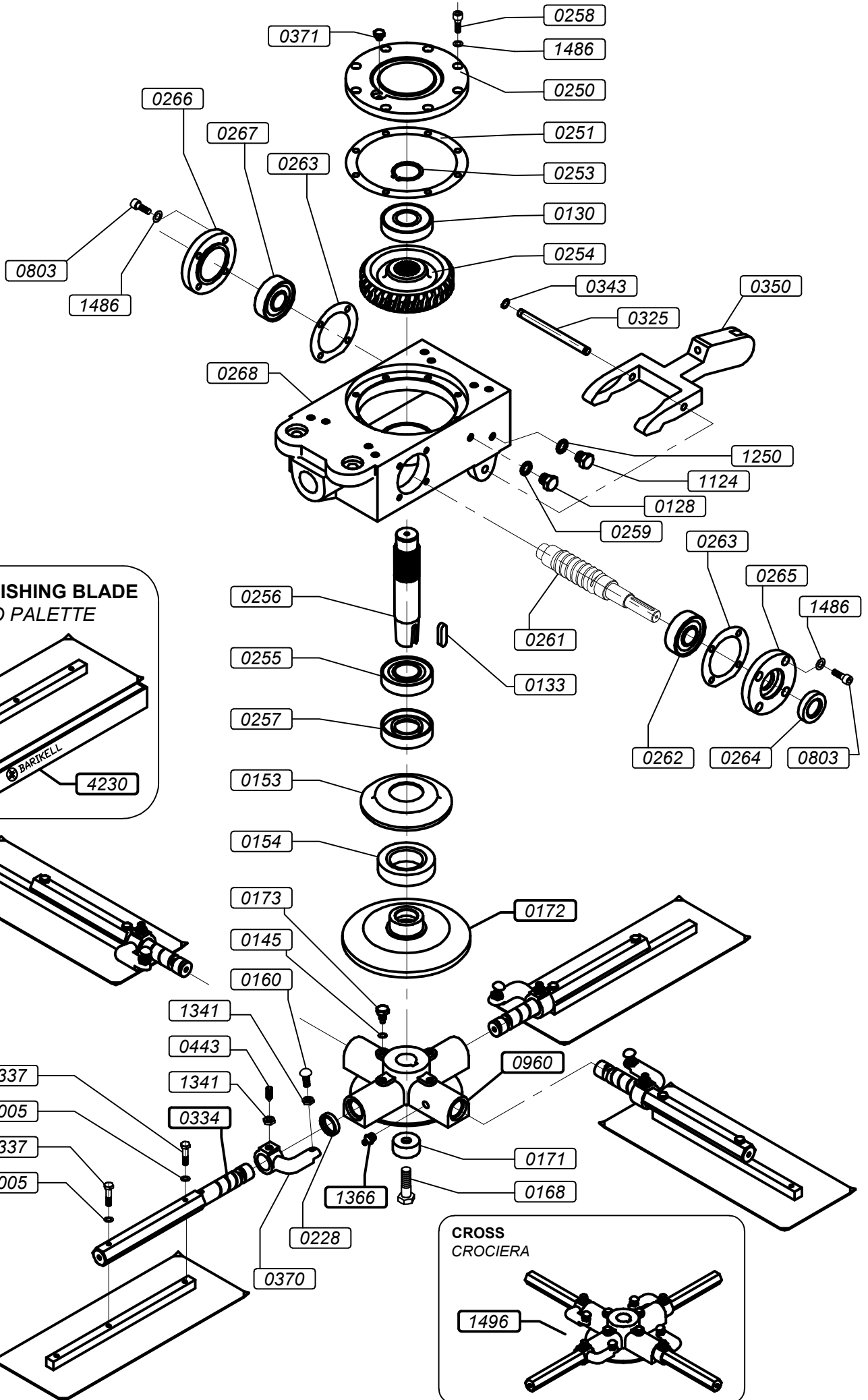


<b>COD.</b>	<b>DESCRIZIONE (I)</b>	<b>DESCRIPTION (GB)</b>
0024	SPINA ELASTICA 6x60 DIN 1481	UNIVERSAL PIN 6x60 DIN 1481
0025	MANOPOLA ALZAPALE	TOOLHOLDERS KNOB
0026	CUSCINETTO REGGISPINTA AXK1528	BEARING THRUST AXK1528
0027	VITE TCCE 5x10 5931 Z.B.	SCREW TCCE 5x10 5931 ZINC PLATED
0028	RALLA AS 1528	BOLSTER AS 1528
0029	ANELLO PORTACUSC.REGGISPINTA	RING BEARING THRUST
0030	PERNO FILETTATO x REGIST. PALE	THREADED PIN
0031	VITE TCCE 6x10 5931 Z.B.	SOCKET CAP SCREW
0032	SPINA CILINDRICA 8x40 UNI 1707	CYLINDRICAL PIN 8X40
0035	DADO BLOKM10 -985 - Z.B.	SELF-LOCKING NUT M10 985 ZINC P.
0048	CARRUCOLAGUIDA CAVO Z.B.	CABLE GUIDE PULLEY
0050	DADO BLOKM8 DIN 985 Z.B.	SELF-LOCKING NUT M8 DIN 985 ZINC P.
0077	FILO ELETTRICO L=2600 MAN.CO,LUN, MOSQ	ELECTRIC CABLE L=2600
0150	DADO M12 BASSO 5589 Z.B.	LOW NUT M12 5589
0151	RONDELLA GROWER 12 ZB	GROWER WASHER 12
0188	GRUPPO ALZAPALE PER 4-90/4-120	BLADE LIFTER UNIT 4-90/120
0270	MANICO CORTO CROM. 4-90/4-120	STANDARD HANDLE -ONLY HANDLE-
0272	TUBO TRASPORTO 33X2,8 L=595	TRANSPORTER ASSY 33X2.8 L=595
0274	CAVO ACCIAIO 4X49X1150 -MAN. CORTO	SHORT STEEL CABLE 4X49X1150
0277	SUPPORTO CARRUCOLA	PULLEY SUPPORT
0281	LEVA ACCELERATORE METALLO	METAL ACCELERATOR LEVER
0328	ATTACCO SUPERIORE x CAVO DI REGISTRO	UPPER COUPLING FOR REGISTER
0347	BUSSOLA CHIUSA IN GOMMA	CLOSED RUBBER BUSH
0348	BUSSOLA APERTA IN GOMMA	OPEN RUBBER BUSH
0372	BOCCOLA ANTIVIBRANTE V75	VIBRATION DAMPER BUSH V75
0374	VITE TE 8x70 - 5737 - Z.B.	SCREW 8X70 5737
0375	VITE TCCE 10x35 Z.B. UNI 5931	SCREW TCCE 10X35 5931
0376	CERCHIO PROTEZIONE 4-120 CROM.	PROTECTION RING 4-120
0377	FLANGIA PORTA MANICO CORTO	SHORT SLEEVE FLANGE
0380	RIDUTTORE V75 COMPL. C/MUSETTO	COMPLETE V75 GEARBOX
0381	VITE VSP 12x80 5933 Z.B.	SCREW 12X80 5933
0667	MANOPOLA D. 22 APERTA RIF.1MA04005	OPEN KNOB D.22
0669	DISP.SIC.BENZ.D.18 S/GANCIO (1DS01005)	DEADMAN SWITCH PETROL LEVEL D.18
0724	RONDELLA 8x24 - ZINCATA BIANCA	WASHER 8x24 - ZINC PLATED
0983	FILO ELETTRICO L=680 + G.COR MA.L+C+MOSK	ELECTRIC CABLE L=680
1040	FILO C/GUAINA 1,5x1900x1800 -	CABLE WITH SHEATH 1,5x1900x1800
1078	RONDELLA ZIGRIN.D10 ZINC.B.	WASHER D10 ZINC PLATED
1084	MANICO C.COMPL.4-90/120 AC.FE.	STANDARD COMPLETE HANDLE .4-90/120



4-120

TABLE  
TAVOLA **B1**



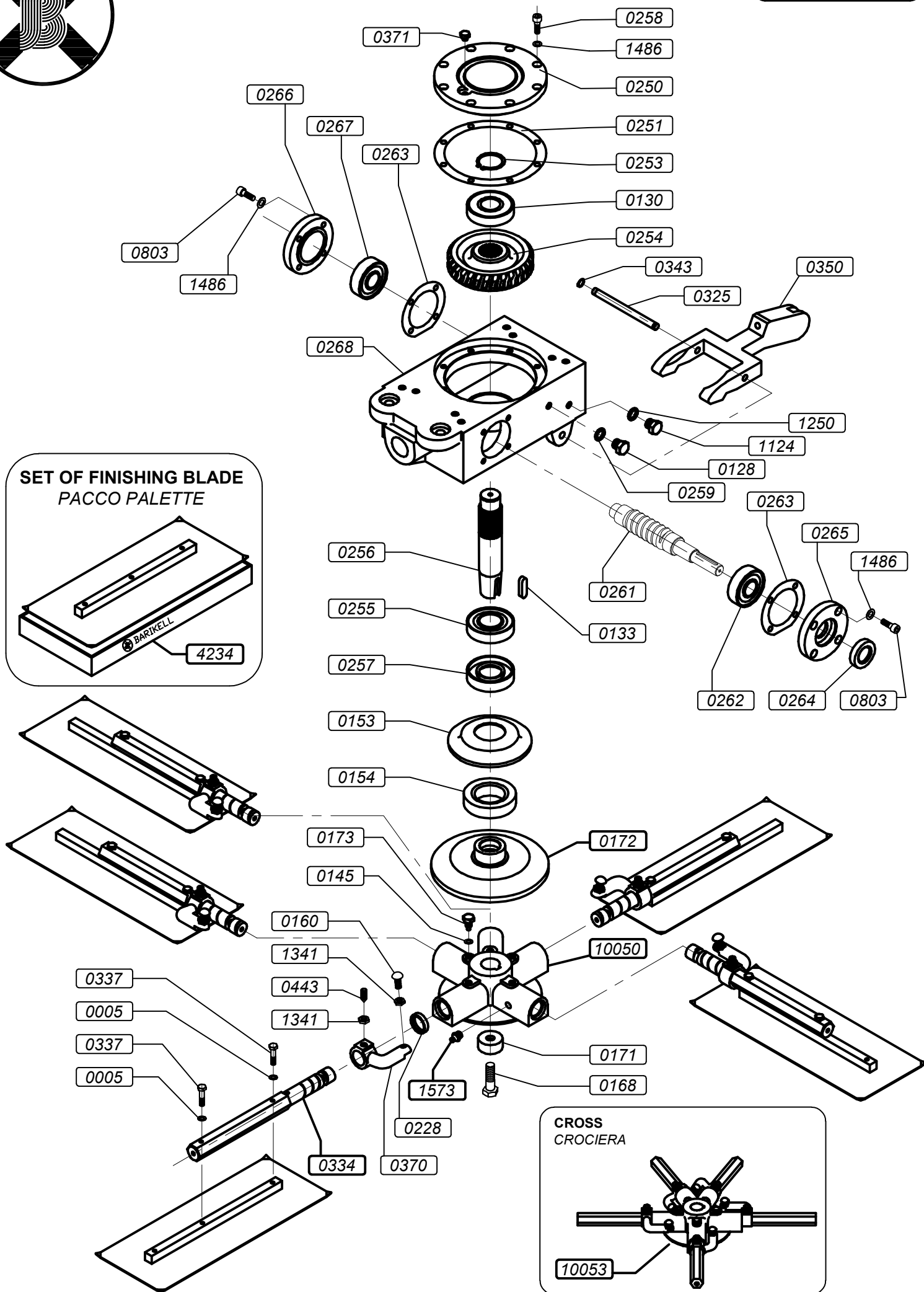
<b>COD.</b>	<b>DESCRIZIONE (I)</b>	<b>DESCRIPTION (GB)</b>
0005	RONDELLA GROWER D. 8 Z.B.	SCREW HEX HEAD 8x35 UNI 5737 GALVANIZED WHITE
0128	TAPPO SCARICO OLIO 3/8" GAS ZB	PLUG OIL 3/8" GAS GALVANIZED WHITE
0130	CUSCINETTO CONICO 30306 CX	TAPER BEARING 30306 CX
0133	CHIAVETTA10x8x35 - 6604A	KEY 10x8x35 - 6604A
0145	RONDELLA PIANA 10x21 6592 Z.B.	WASHER 10x21 6592 GALVANIZED WHITE
0153	COPRICUSCINETTO 4-90/4-120	COVER BEARING 4-90/4-120
0154	CUSCINETTO REGGISPINTA BCA2256	BEARING BCA2256
0160	VITE TTDE10X30 UNI 5731 SENZA	SCREW TTDE10X30 UNI 5731
0168	VITE TCCE 12x30X1,5 Z.B. DIN912	SCREW TCCE 12x30X1,5 GALVANIZED WHITE DIN912
0171	ROND. BLOCC. CROC. 4-90/120,MK8-75,OL90	WASHER 4-90/120,MK8-75,OL90
0173	VITE BLOC.BRAC.P.PALE 4-90/120	SCREW FIX TOOLHOLDER 4-90/120
0228	OR D.25 SEZ.1,5 PER CROC.	O-RING D.25 SEZ.1,5
0243	CAMPANA REG.PALE D.182 ZB	UPPER HEAD TOOLHOLDER D.182
0250	COPERCHIOSUPERIORE V75	UPPER COVER V75
0251	GUARNIZIONE SUPERIORE V75	UPPER SEAL V75
0253	SEEGER "E" 30x1,5 UNI 7435 DIN 471	SEEGER "E" 30x1,5 UNI 7435 DIN 471
0254	CORONA DENTATA DX V75	CROWN GEAR DX V75
0255	CUSCINETTO SFERE 6207-2RS V75 CX	BALL BEARING 6207-2RS V75 CX
0256	ALBERO LENTO V75	SLOW SHAFT V75
0257	PARAOLIO DOP.TENUTA 35X55X10	OIL SEAL 35X55X10
0258	VITE TCCE 8x16 UNI 5931 Z.B. 12.9	SCREW TCCE 8x16 UNI 5931 GALVANIZED WHITE
0259	RONDELLA ALL. 17x23x1.5 X RID.	WASHER ALL. 17x23x1.5
0261	VITE SENZA FINE DX V75	WORM SCREW DX V75
0262	CUSCINETTO CONICO 30305 CX	TAPER BEARING 30305 CX
0263	GUARNIZIONE LATERALE V75	SEAL V75
0264	PARAOLIO DOP.TENUTA 25X45X10	OIL SEAL 25X45X10
0265	COPERCHIO LATERALE FORATO V75	PERFORATED SIDE LID V75
0266	COPERCHIO LATERALE CHIUSO V75	CLOSED SIDE COVER V75
0267	CUSCINETTO A SFERE 6305 CX	BALL BEARING 6305 CX
0268	SCATOLA RIDUTTORE V75 C/MUSETT	REDUCTION GEAR BOX V75 C/MUS
0325	PERNO FORCEL.D.11X179 Z.B.V75	PIN YOKE D.11X179 Z.B.V75
0334	BRACCIO PORTA PALETTA 4-120	TOOLHOLDER ARM 4-120
0337	VITE TE 8x40 5737 Z.B.	SCREW HEX HEAD 8x40 5737 GALVANIZED WHITE
0343	ANELLO RADIALE DIAM.10	SEAL DIAM.10
0350	FORCELLA COMANDO PALE D.11	YOKE CONTROL TOOLHOLDER D.11
0370	GOMITO DXD.25 4-120/OL-90	RH ELBOW D.25 4-120/OL-90
0371	TAPPO SFIATO 1/8"+ RONDELLA IN RAME	BREATHER PLUG 1/8"+ COPPER WASHER
0443	GRANO M10x20 UNI 5927	DOWEL M10x20 UNI 5927
0380	RIDUTTORE COMPL. V75 C/MUS.	COMPLETE GEARBOX V75 C/MUS.
0803	VITE TCCE M8X20	SCREW TCCE M8X20
0960	CROCERA D.25 4-120/OL90 C/FORI	SPIDER D.25 4-120/OL90

1124	INDICAT.LIV.OLIO 3/4" VETRO	LEVEL INDICATOR OIL 3/4" GLASS
1250	RONDELLA ALL.27X33X1,5 3/4"	WASHER ALL.27X33X1,5 3/4"
1341	DADO M10 5589 BASSO GREZZO	NUT M10 5589
1366	INGRASSATORE M8X1,25	GREASE FITTING M8X1.25
1486	RONDELLA ZIGRINATA D.8 Z.B.	WASHER D.8 GALVANIZED WHITE
1496	CROCERA COMP. 4-120	COMPLETE SPIDER PLATE 4-120
4230	PACCO PALETTE 4-120	SET OF FINISHING BLADES 4-120



5-120

TABLE TAVOLA **B2**



<b>COD.</b>	<b>DESCRIZIONE (I)</b>	<b>DESCRIPTION (GB)</b>
0005	RONDELLA GROWER D. 8 Z.B.	SCREW HEX HEAD 8x35 UNI 5737 GALVANIZED WHITE
0128	TAPPO SCARICO OLIO 3/8" GAS ZB	PLUG OIL 3/8" GAS GALVANIZED WHITE
0130	CUSCINETTO CONICO 30306 CX	TAPER BEARING 30306 CX
0133	CHIAVETTA10x8x35 - 6604A	KEY 10x8x35 - 6604A
0145	RONDELLA PIANA 10x21 6592 Z.B.	WASHER 10x21 6592 GALVANIZED WHITE
0153	COPRICUSCINETTO 4-90/4-120	COVER BEARING 4-90/4-120
0154	CUSCINETTO REGGISPINTA BCA2256	BEARING BCA2256
0160	VITE TTDE10X30 UNI 5731 SENZA	SCREW TTDE10X30 UNI 5731
0168	VITE TCCE 12x30X1,5 Z.B. DIN912	SCREW TCCE 12x30X1,5 GALVANIZED WHITE DIN912
0171	ROND. BLOCC. CROC. 4-90/120,MK8-75,OL90	WASHER 4-90/120,MK8-75,OL90
0173	VITE BLOC.BRAC.P.PALE 4-90/120	SCREW FIX TOOLHOLDER 4-90/120
0228	OR D.25 SEZ.1,5 PER CROC.	O-RING D.25 SEZ.1,5
0243	CAMPANA REG.PALE D.182 ZB	UPPER HEAD TOOLHOLDER D.182
0250	COPERCHIOSUPERIORE V75	UPPER COVER V75
0251	GUARNIZIONE SUPERIORE V75	UPPER SEAL V75
0253	SEEGER "E" 30x1,5 UNI 7435 DIN 471	SEEGER "E" 30x1,5 UNI 7435 DIN 471
0254	CORONA DENTATA DX V75	CROWN GEAR DX V75
0255	CUSCINETTO SFERE 6207-2RS V75 CX	BALL BEARING 6207-2RS V75 CX
0256	ALBERO LENTO V75	SLOW SHAFT V75
0257	PARAOLIO DOP.TENUTA 35X55X10	OIL SEAL 35X55X10
0258	VITE TCCE 8x16 UNI 5931 Z.B. 12.9	SCREW TCCE 8x16 UNI 5931 GALVANIZED WHITE
0259	RONDELLA ALL. 17x23x1.5 X RID.	WASHER ALL. 17x23x1.5
0261	VITE SENZA FINE DX V75	WORM SCREW DX V75
0262	CUSCINETTO CONICO 30305 CX	TAPER BEARING 30305 CX
0263	GUARNIZIONE LATERALE V75	SEAL V75
0264	PARAOLIO DOP.TENUTA 25X45X10	OIL SEAL 25X45X10
0265	COPERCHIO LATERALE FORATO V75	PERFORATED SIDE LID V75
0266	COPERCHIO LATERALE CHIUSO V75	CLOSED SIDE COVER V75
0267	CUSCINETTO A SFERE 6305 CX	BALL BEARING 6305 CX
0268	SCATOLA RIDUTTORE V75 C/MUSETT	REDUCTION GEAR BOX V75 C/MUS
0325	PERNO FORCEL.D.11X179 Z.B.V75	PIN YOKE D.11X179 Z.B.V75
0334	BRACCIO PORTA PALETTA 5-120	TOOLHOLDER ARM 5-120
0337	VITE TE 8x40 5737 Z.B.	SCREW HEX HEAD 8x40 5737 GALVANIZED WHITE
0343	ANELLO RADIALE DIAM.10	SEAL DIAM.10
0350	FORCELLA COMANDO PALE D.11	YOKE CONTROL TOOLHOLDER D.11
0370	GOMITO DX	RH ELBOW
0371	TAPPO SFIATO 1/8"+ RONDELLA IN RAME	BREATHER PLUG 1/8"+ COPPER WASHER
0443	GRANO M10x20 UNI 5927	DOWEL M10x20 UNI 5927
0380	RIDUTTORE COMPL. V75 C/MUS.	COMPLETE GEARBOX V75 C/MUS.
0803	VITE TCCE M8X20	SCREW TCCE M8X20
10050	CROCERA D.25 5-90/120	SPIDER 5-120



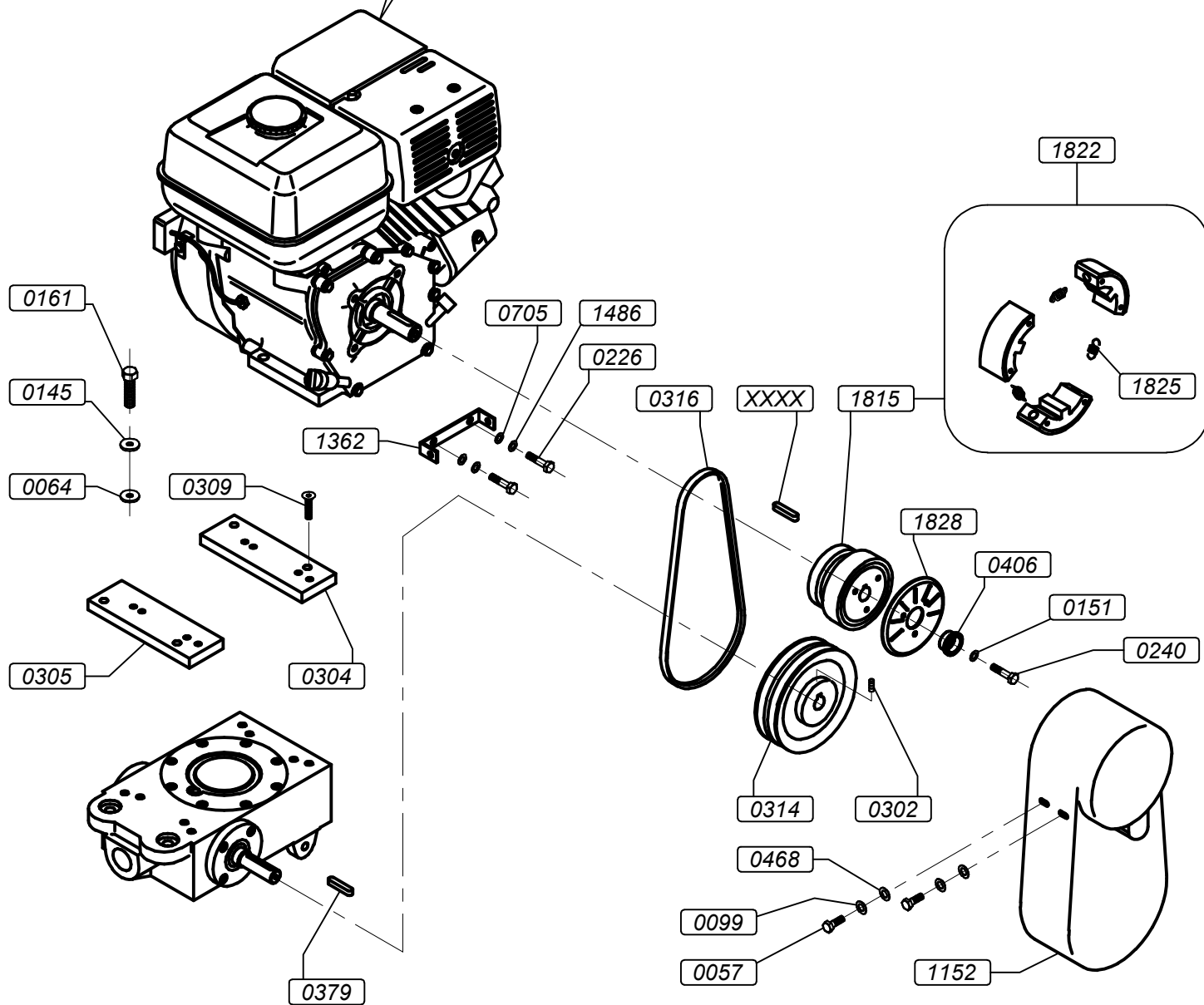
10053	CROCERA COMP. 5-120	COMPLETE SPIDER PLATE 5-120
1124	INDICAT.LIV.OLIO 3/4" VETRO	LEVEL INDICATOR OIL 3/4" GLASS
1250	RONDELLA ALL.27X33X1,5 3/4"	WASHER ALL.27X33X1,5 3/4"
1341	DADO M10 5589 BASSO GREZZO	NUT M10 5589
1486	RONDELLA ZIGRINATA D.8 Z.B.	WASHER D.8 GALVANIZED WHITE
1573	INGRASSATORE M8X1.25 2802	GREASER M8X1.25 2802
4234	PACCO PALETTE 5-120	SET OF FINISHING BLADES 5-120



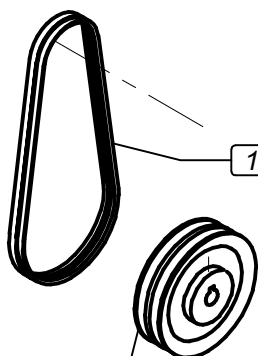
4-120 / 5-120

TABLE  
TAVOLA **C1**

- 4310 ENGINE / MOTORE HONDA GX270 9HP
- 4360 ENGINE / MOTORE ROBIN EX27 9HP



KIT 180 RPM  
(NO ENGINE 5.5HP)



10001

1627

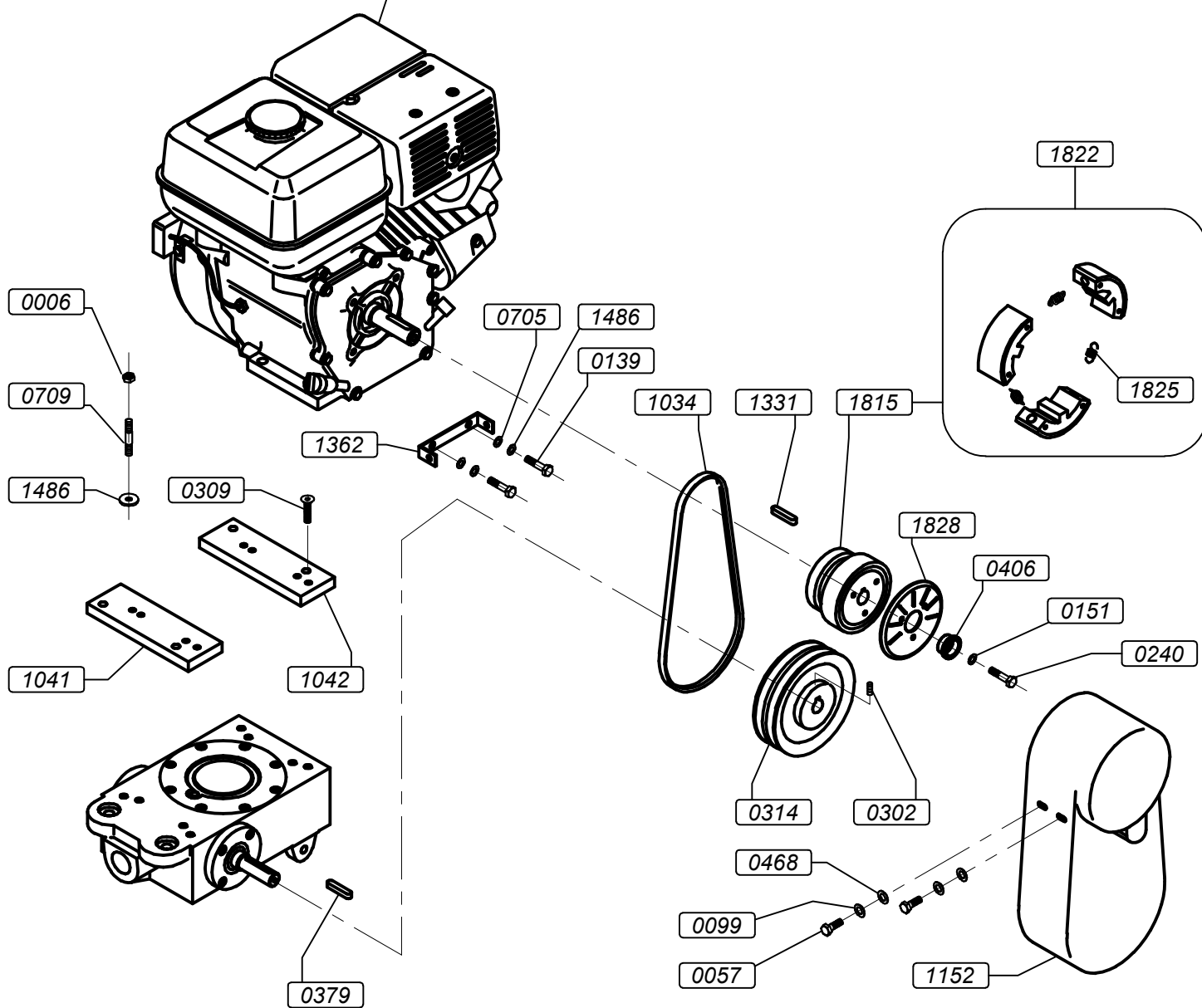
<b>COD.</b>	<b>DESCRIZIONE (I)</b>	<b>DESCRIPTION (GB)</b>
0057	VITE TE 6x12 5739 Z.B.	HEXAGONAL SCREW 6X12 5739
0064	RONDELLA GROWER 10 - Z.B.	GROWER WASHER 10
0099	RONDELLA GROWER D. 6 Z.B.	GROWER WASHER D.6
0145	RONDELLA PIANA 10x21 6592 Z.B.	PLAIN WASHER 10X21 6592.
0151	RONDELLA GROWER 12 ZB	GROWER WASHER 12
0161	VITE TE 10x35 5737 Z.B.	SCREW TE 10X35 5737
0226	VITE TE UNF 5/16 X 3/4	TE SCREW UNF 5/16 X 3/4
0240	VITE TE UNF 7/16x2"1/4	SCREW 7/16 X 2" 1/4
0302	GRANO M6x16 - 5927	DOWEL M6X16 5927
0304	SUPPOR.MOTORE POST.	REAR ENGINE BRAKET
0305	SUPPOR. MOTORE ANT.	FRONT MOTOR BRACKET
0309	VITE VSP 10x25 - 5933 Z.B.	HEXAGONAL SCREW VSP 10X25 5933
0314	PULEGGIA ALL/GHISA 140x2A D.20H7	CAST IRON PULLEY 140X2A D.20H7
0316	CINGHIA OPTIBELT A29	BELT OPTIBELT A29
0379	CHIAVETTA 6X6X35 - 6604 C45	SMALL KEY 6X6X35
0406	BOCCOLA FISSAG. FRIZ. PAF 105	BUSH FOR PAF 105
0468	RONDELLA 6x18X1,5 Z.B.	PLAIN WASHER 6x18X1,5
0705	RONDELLA PIANA D. 8 Z.B.	PLAIN WASHER D8
10001	PULEGGIA PREDISP.100x2A SPA 20H7 + 1610 F20	PULLEY .100x2A SPA 20H7 + 1610 F20
1152	CARTER PR.CINGHIA 4-120 H=135	BELT PROTECTION GUARD 4-120 H=135
1362	STAFFA CARTER PR.CING.4-90/120	SUPPORT FOR BELT GUARD
1486	RONDELLA ZIGRINATA D.8 Z.B.	WASH PLAIN D.8
1627	CINGHIA OPTIBELT A26	BELT OPTIBELT A26
1815	FRIZIONE 105 D.25,4 (1")	CLUTCH 105 D.25,4 (1")
1822	SERIE MASSE FRIZIONE BARIKELL	SERIES OF CLUTCH MASSES
1825	MOLLA X FRIZIONE BARIKELL 105	SPRING FOR BARIKELL CLUTCH 105
1828	COPERCHIO FRIZIO.BARIKELL 105	CLUTCH COVER BARIKELL 105
4310	MOTORE HONDA GX270UT 9HP QX-Q4	HONDA ENGINE GX270 9HP
4360	MOTORE ROBIN/SUBARU EX27 9HP	ROBIN/SUBARU ENGINE EX27 9HP



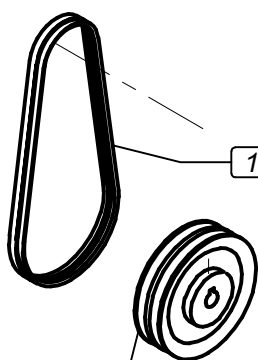
4-120 / 5-120

TABLE TAVOLA **C2**

4400 ENGINE / MOTORE B&S VANGUARD 14HP



KIT 180 RPM  
(NO ENGINE 5.5HP)



1627

10001

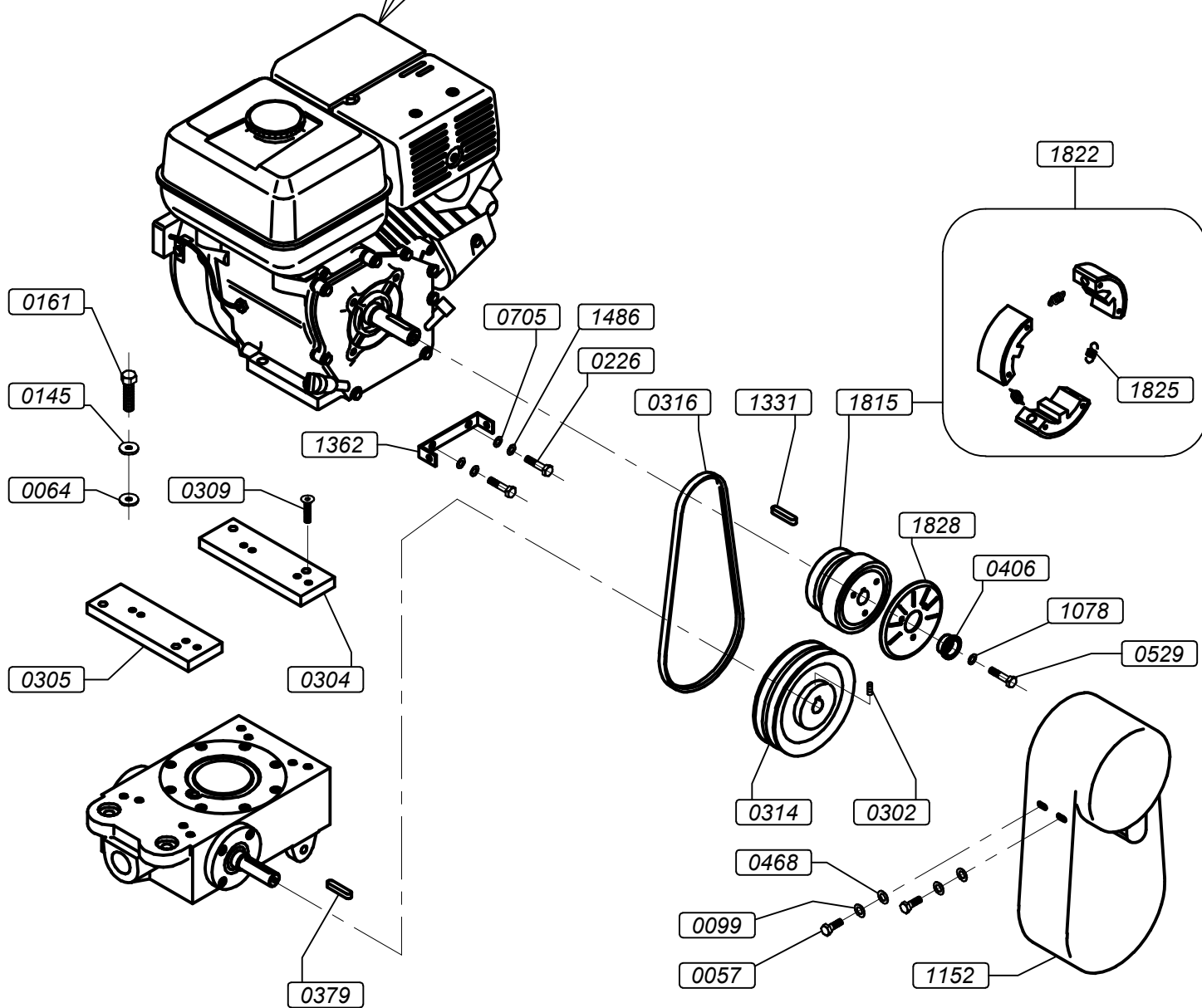
<b>COD.</b>	<b>DESCRIZIONE (I)</b>	<b>DESCRIPTION (GB)</b>
0006	DADO M8 UNI 5588 Z.B.	NUT M8 UNI 5588
0057	VITE TE 6x12 5739 Z.B.	HEXAGONAL SCREW 6X12 5739
0099	RONDELLA GROWER D. 6 Z.B.	GROWER WASHER D.6
0139	VITE TE 8x16 UNI 5739 Z.B.	HEXAGONAL SCREW 8X16
0151	RONDELLA GROWER 12 ZB	GROWER WASHER 12
0240	VITE TE UNF 7/16x2"1/4	SCREW 7/16 X 2" 1/4
0302	GRANO M6x16 - 5927	DOWEL M6X16 5927
0309	VITE VSP 10x25 - 5933 Z.B.	HEXAGONAL SCREW VSP 10X25 5933
0314	PULEGGIA ALL/GHISA 140x2A D.20H7	CAST IRON PULLEY 140X2A D.20H7
0379	CHIAVETTA 6X6X35 - 6604 C45	SMALL KEY 6X6X35
0406	BOCCOLA FISSAG. FRIZ. PAF 105	BUSH FOR PAF 105
0468	RONDELLA 6x18X1,5 Z.B.	PLAIN WASHER 6x18X1,5
0705	RONDELLA PIANA D. 8 Z.B.	PLAIN WASHER D8
0709	PRIGIONIERO M8 L=40 Z.B.	TIE ROD M8 L=40
10001	PULEGGIA PREDISP.100x2A SPA 20H7 + 1610 F20	PULLEY .100x2A SPA 20H7 + 1610 F20
1034	CINGHIA PIBELT A28 X B&S 7,5HP	BELT PIBELT A28 X B&S 7,5HP
1041	SUPPOR. MOTORE ANT.	FRONT MOTOR BRACKET
1042	SUPPOR.MOTORE POST.	REAR ENGINE BRAKET
1152	CARTER PR.CINGHIA 4-120 H=135	BELT PROTECTION GUARD 4-120 H=135
1331	CHIAVETTA 38,1x6,3x6,3 B.& S	SMALL KEY 38,1X6,3X6,3 B.& S
1362	STAFFA CARTER PR.CING.4-90/120	SUPPORT FOR BELT GUARD
1486	RONDELLA ZIGRINATA D.8 Z.B.	WASH PLAIN D.8
1627	CINGHIA OPTIBELT A26	BELT OPTIBELT A26
1815	FRIZIONE 105 D.25,4 (1")	CLUTCH 105 D.25,4 (1")
1822	SERIE MASSE FRIZIONE BARIKELL	SERIES OF CLUTCH MASSES
1825	MOLLA X FRIZIONE BARIKELL 105	SPRING FOR BARIKELL CLUTCH 105
1828	COPERCHIO FRIZIO.BARIKELL 105	CLUTCH COVER BARIKELL 105
4400	MOTORE B.&S.VANGUARD 14HP	B&S VANGUARD ENGINE 14HP



4-120 / 5-120

TABLE TAVOLA C3

- 4320 ENGINE / MOTORE HONDA GX390
- 4315 ENGINE / MOTORE HONDA GX340
- 4367 ENGINE / MOTORE ROBIN EX40



**KIT 180 RPM  
(NO ENGINE 5.5HP)**

1627  
10001

<b>COD.</b>	<b>DESCRIZIONE (I)</b>	<b>DESCRIPTION (GB)</b>
0057	VITE TE 6x12 5739 Z.B.	HEXAGONAL SCREW 6X12 5739
0064	RONDELLA GROWER 10 - Z.B.	GROWER WASHER 10
0099	RONDELLA GROWER D. 6 Z.B.	GROWER WASHER D.6
0145	RONDELLA PIANA 10x21 6592 Z.B.	PLAIN WASHER 10X21 6592.
0161	VITE TE 10x35 5737 Z.B.	SCREW TE 10X35 5737
0226	VITE TE UNF 5/16 X 3/4	TE SCREW UNF 5/16 X 3/4
0302	GRANO M6x16 - 5927	DOWEL M6X16 5927
0304	SUPPOR.MOTORE POST.	REAR ENGINE BRAKET
0305	SUPPOR. MOTORE ANT.	FRONT MOTOR BRACKET
0309	VITE VSP 10x25 - 5933 Z.B.	HEXAGONAL SCREW VSP 10X25 5933
0314	PULEGGIA ALL/GHISA 140x2A D.20H7	CAST IRON PULLEY 140X2A D.20H7
0316	CINGHIA OPTIBELT A29	BELT OPTIBELT A29
0379	CHIAVETTA 6X6X35 - 6604 C45	SMALL KEY 6X6X35
0406	BOCCOLA FISSAG. FRIZ. PAF 105	BUSH FOR PAF 105
0468	RONDELLA 6x18X1,5 Z.B.	PLAIN WASHER 6x18X1,5
0529	VITE TE UNF 3/8x1"3/4	SCREW TE UNF 3/8x1"3/4
0705	RONDELLA PIANA D. 8 Z.B.	PLAIN WASHER D8
10001	PULEGGIA PREDISP.100x2A SPA 20H7 + 1610 F20	PULLEY .100x2A SPA 20H7 + 1610 F20
1078	RONDELLA ZIGRIN.D10 ZINC.B.	PLAIN WASHER D.10
1152	CARTER PR.CINGHIA 4-120 H=135	BELT PROTECTION GUARD 4-120 H=135
1331	CHIAVETTA 38,1x6,3x6,3 B.& S	SMALL KEY 38,1X6,3X6,3 B.& S
1362	STAFFA CARTER PR.CING.4-90/120	SUPPORT FOR BELT GUARD
1486	RONDELLA ZIGRINATA D.8 Z.B.	WASH PLAIN D.8
1627	CINGHIA OPTIBELT A26	BELT OPTIBELT A26
1815	FRIZIONE 105 D.25,4 (1")	CLUTCH 105 D.25,4 (1")
1822	SERIE MASSE FRIZIONE BARIKELL	SERIES OF CLUTCH MASSES
1825	MOLLA X FRIZIONE BARIKELL 105	SPRING FOR BARIKELL CLUTCH 105
1828	COPERCHIO FRIZIO.BARIKELL 105	CLUTCH COVER BARIKELL 105
4315	MOTORE HONDA GX340UT2 11HP	HONDA ENGINE GX 340 11 HP
4320	MOTORE HONDA GX390UT2 13HP A/S	HONDA ENGINE GX390 UT2 13HP
4367	MOTORE ROBIN EX40 14HP A/STRAP	ROBIN/SUBARUN ENGINE EX40

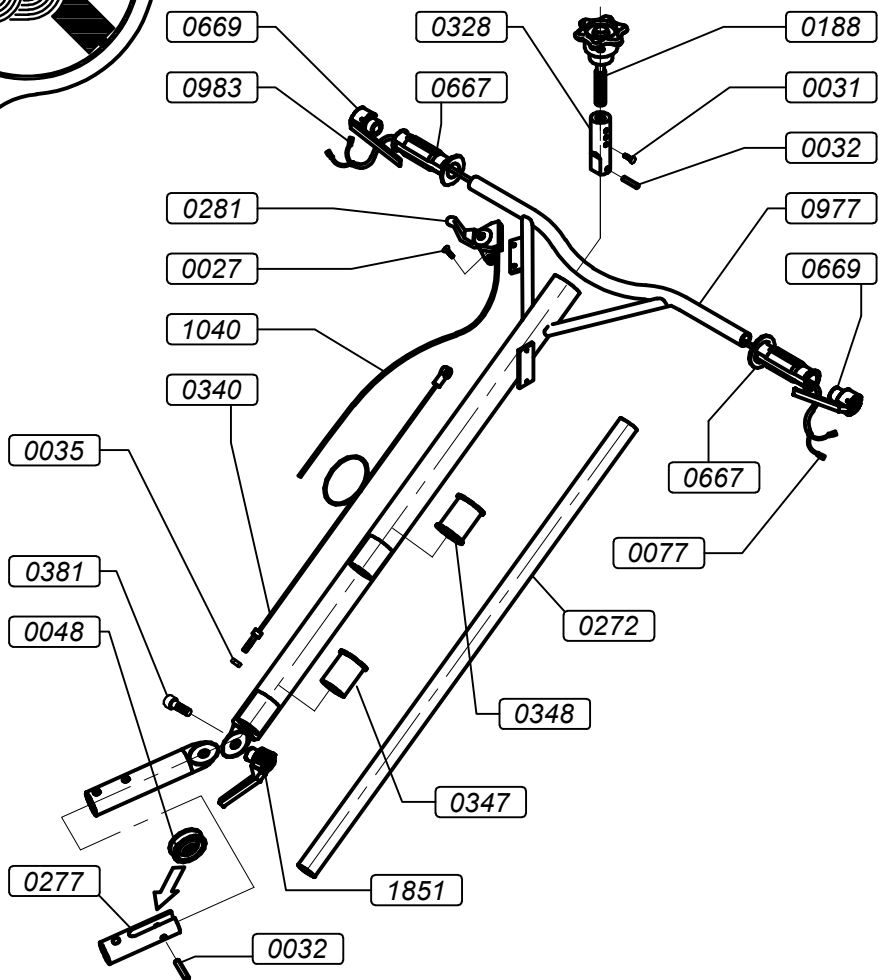


4-120 / 5-120

TABLE  
TAVOLA **D1**

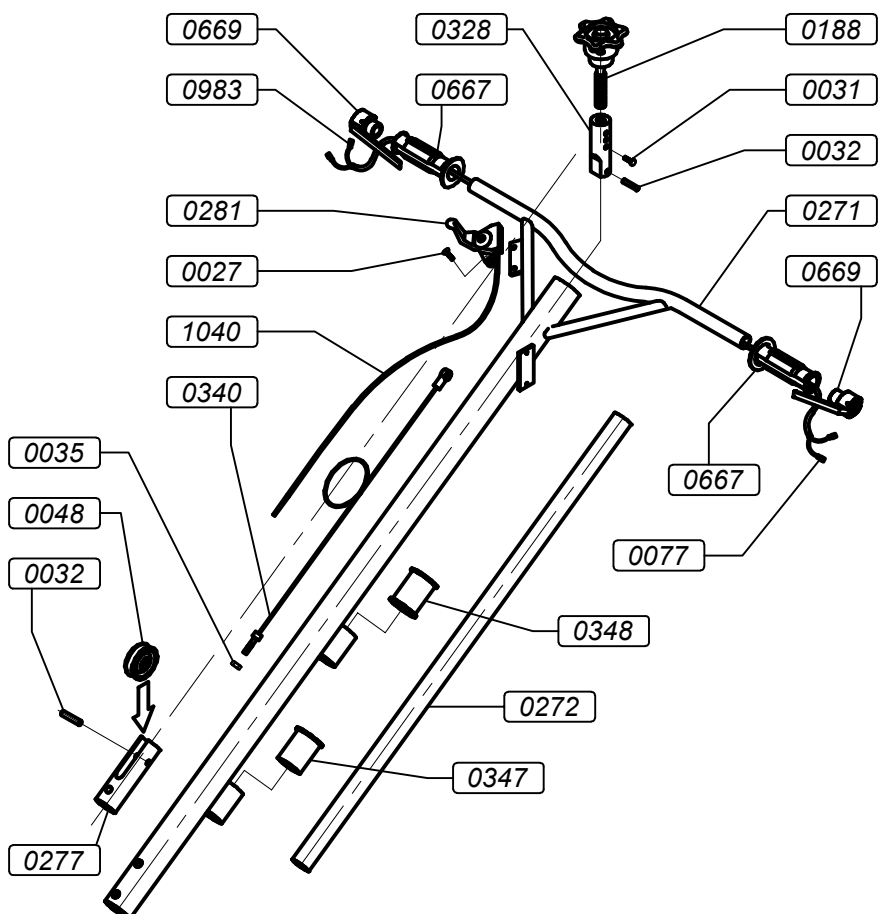
**OPTIONAL**

**COMPLETE FOLDING HANDLE**  
MANICO COMPLETO PIEGHEVOLE

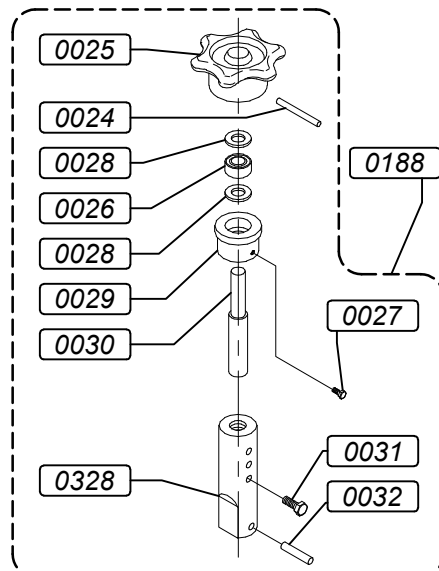


1744

**COMPLETE LONG HANDLE**  
MANICO COMPLETO LUNGO



1083





<b>COD.</b>	<b>DESCRIZIONE (I)</b>	<b>DESCRIPTION (GB)</b>
0024	SPINA ELASTICA 6x60 DIN 1481	SPRING PIN 6X60 DIN 1481
0025	MANOPOLA ALZAPALE	BLADE LIFTING KNOB
0026	CUSCINETTO REGGISPINTA AXK1528	STEP BEARING AXK1528
0027	VITE TCCE 5x10 5931 Z.B.	SOCKET CAP SCREW 5X10
0028	RALLA AS 1528	BEARING RING AS 1528
0029	ANELLO PORTACUSC.REGGISPINTA	BEARING RING D.48
0030	PERNO FILETTATO x REGIST. PALE	THREADED PIN TO
0031	VITE TCCE 6x10 5931 Z.B.	SOCKET CAP SCREW
0032	SPINA CILINDRICA 8x40 UNI 1707	CYLINDRICAL PIN 8X40
0035	DADO BLOKM10 -985 - Z.B.	BLOCK NUT M10 - 985
0048	CARRUCOLA GUIDA CAVO Z.B.	CABLE GUIDE PULLEY
0077	FILO ELETTRICO L=2600 MAN.CO,LUN, MOSQ	ELECTRIC CABLE L=2600
0188	GRUPPO ALZAPALE PER 4-90/4-120	BLADE LIFTER UNIT 4-90/120
0271	MANICO LUNGO CROM. 4-90/4-120	LONG HANDLE-ONLY HANDLE-
0272	TUBO TRASPORTO 33X2,8 L=595	TRANSPORTER ASSY 33X2.8 L=595
0277	SUPPORTO CARRUCOLA	PULLEY SUPPORT
0281	LEVA ACCELERATORE METALLO	THROTTLE METAL LEVER FOR ACC
0328	ATTACCO SUPERIORE x CAVO DI REGISTRO	UPPER COUPLING FOR REGISTER
0340	CAVO D.4x49x1425 C/TERM.MAN. LUNGO	LONG CABLE D.4X49X1425
0347	BUSSOLA CHIUSA IN GOMMA	CLOSED RUBBER BUSH
0348	BUSSOLA APERTA IN GOMMA	OPEN RUBBER BUSH
0381	VITE VSP 12x80 5933 Z.B.	SCREW 12X80 5933
0667	MANOPOLA D. 22 APERTA RIF.1MA04005	OPEN KNOB D.22
0669	DISP.SIC.BENZ.D.18 S/GANCIO (1DS01005)	DEADMAN SWITCH PETROL LEVEL D.18
0977	MANICO LUNGO X PIEG.4-90/4-120	LONG HANDLE FOR FOLDABLE HANDLE 4-90/4-1
0983	FILO ELETTRICO L=680 + G.COR MA.L+C+MOSK	ELECTRIC CABLE L=680
1040	FILO C/GUAINA 1,5x1900x1800 -	CABLE SHEATH 1,5x1900x1800
1083	MANICO L.COMPL.4-90/120 AC.FE.	COMPLETE LONG HANDLE 4-90/120
1744	MANICO COMPL.PIEGH.4-90/4-120	COMPLETE FOLDABLE HANDLE 4-90/4-120
1851	LEVA BLOCCA MANICO PIEGHEVOLE	FOLDABLE HANDLE LEVER BLOCK

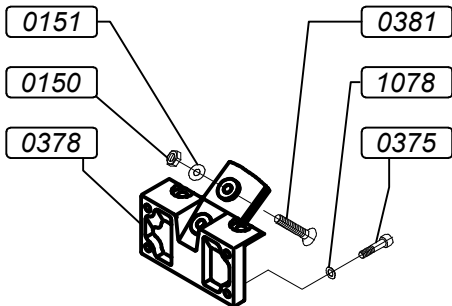


**OPTIONAL**

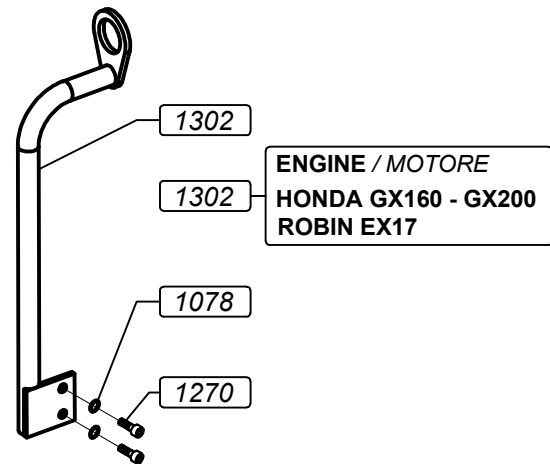
**4-120 / 5-120**

**TABLE  
TAVOLA D2**

**FLANGE FOR LONG HANDLE  
FLANGIA PER MANICO LUNGO**

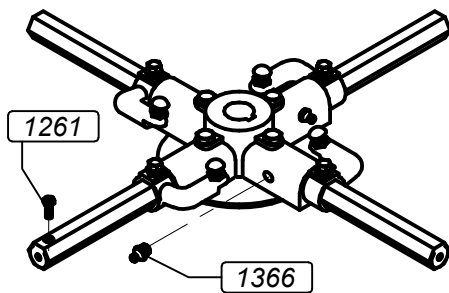


**LIFTING HOOK  
GANCIO DI SOLLEVAMENTO**



**COMPLETE CRUISE 4-120 WITH GREASERS,  
ARMS AND ADJUSTMENT SCREWS**

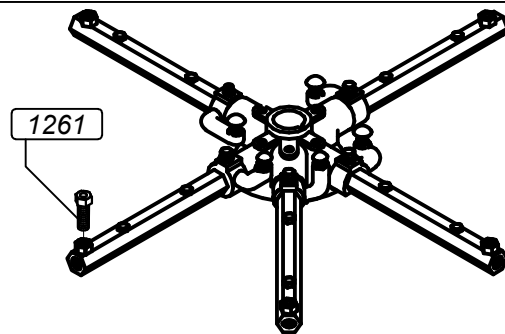
*CROCIERA COMPLETA 4-120 CON INGRASSATORI,  
BRACCI E VITI DI REGISTRO*



1495

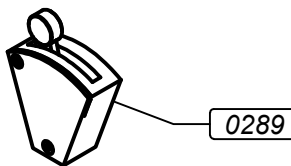
**COMPLETE CRUISE 5-120 WITH GREASERS,  
ARMS AND ADJUSTMENT SCREWS**

*CROCIERA COMPLETA 5-120 CON INGRASSATORI,  
BRACCI E VITI DI REGISTRO*

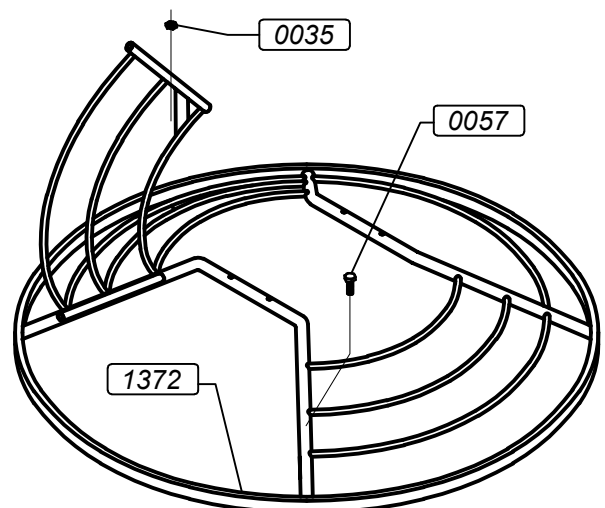


10054

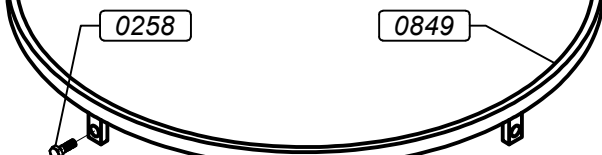
**EMERGENCY SWITCH  
INTERRUTTORE DI EMERGENZA**



**OPENABLE PROTECTION CIRCLE  
CERCHIO DI PROTEZIONE APRIBILE**



**STABILIZER CIRCLE  
CERCHIO STABILIZZATORE**



<b>COD.</b>	<b>DESCRIZIONE (I)</b>	<b>DESCRIPTION (GB)</b>
0035	DADO BLOKM10 -985 - Z.B.	BLOCK NUT M10 - 985
0057	VITE TE 6x12 5739 Z.B.	HEXAGONAL SCREW 6X12 5739
0150	DADO M12 BASSO 5589 Z.B.	LOW NUT M12 5589
0151	RONDELLA GROWER 12 ZB	GROWER WASHER 12
0258	VITE TCCE 8x16 UNI 5931 Z.B. 12.9	SOCKET CAP SCREW 8X16 5931
0289	INTERRUTTORE DI EMERGENZA COMPLETO	EMERGENCY SWITCH COMPLETE
0375	VITE TCCE 10x35 Z.B. UNI 5931	SCREW TCCE 10X35 5931
0378	FLANGIA PORTA MANICO LUNGO	LONG SLEEVE FLANGE
0381	VITE VSP 12x80 5933 Z.B.	SCREW 12X80 5933
0849	CERCHIO STABILIZZATORE 4-120	STABILISER RING 4-120
10054	CROCERA COMPL. 5-120 CON VITE REGISTRO	COMPLETE SPIDERPLATE 4-120 WITH REGISTER SCREW
1078	RONDELLA ZIGRIN.D10 ZINC.B.	PLAIN WASHER D.10
1261	VITE FORATA CH.17 L=40 M16X1,5	SCREW CH.17 L=40 M16X1,5
1270	VITE TCCE 10x45 Z.B.	SCREW TCCE10X45 Z.B.
1302	GANCIO SOLLEVAMENTO 4-90/4-120	LIFTING HOOK 4-90/4-120
1366	INGRASSATORE M8X1,25	GREASER M8X1,25
1372	CERCHIO PROTEZ.APRIBILE 4-120	OPENING PROTECTION RING 4-120
1495	CROC. COMP. 4-120 C/FOR.REGISTRO	COMPLETE SPIDER 4-120